

Block Allocation Group (BAG) proposal @ SOLEIL

Proposal Type : BAG proposal

Duration : one year

Reviewed : by the Biology / Health Peer Review Committee twice a year

Beamline : Macromolecular crystallography (PROXIMA 1 & PROXIMA 2A)
and/or SAXS on Proteins in solution (SWING).

Up to 3 beamlines/branches can be requested.

BAG Coordinator: Person who submits the BAG proposal

Contact person to SOLEIL for all administrative issues

i.e.: submit Report on the proposal ...

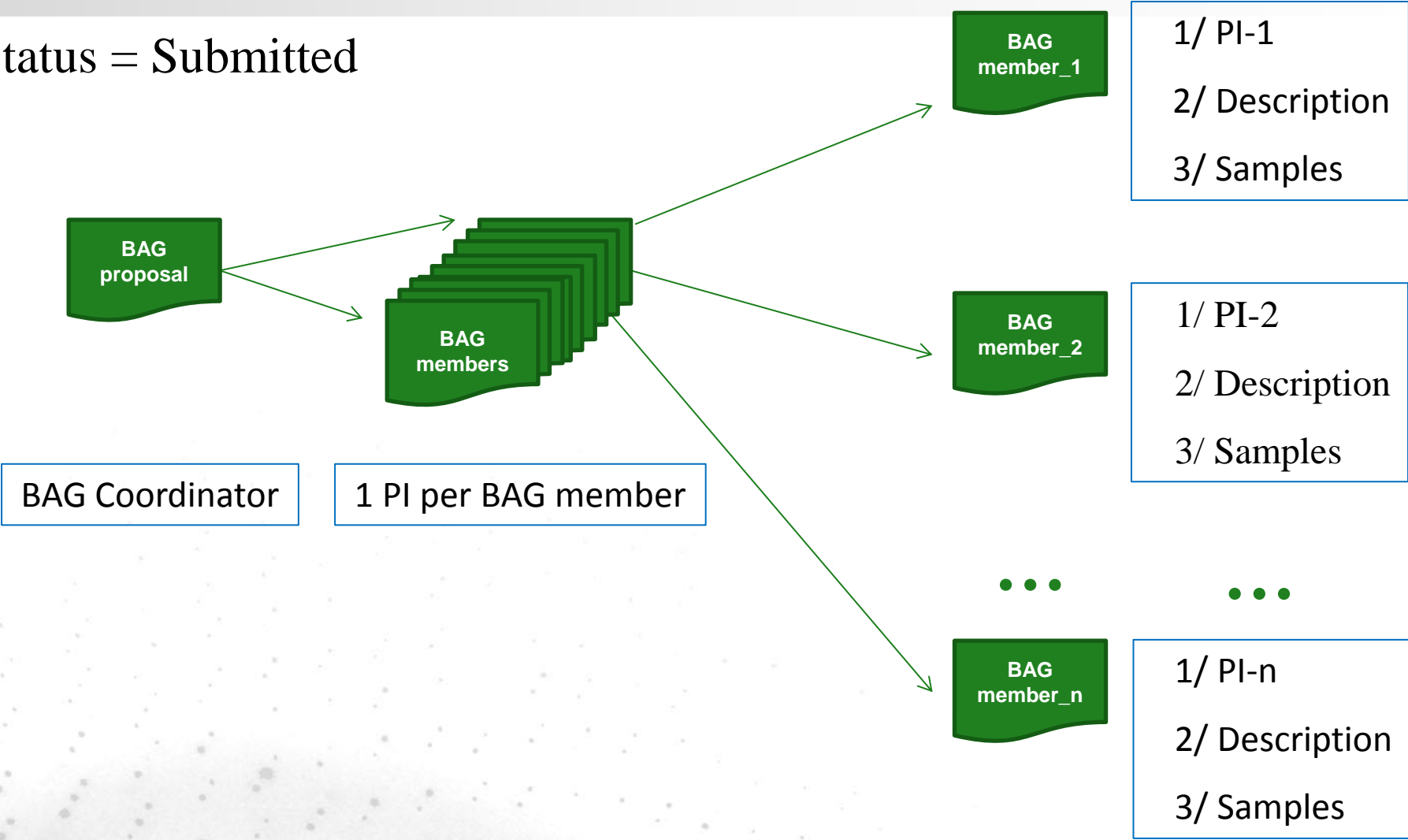
Team coordinator of the BAG (i.e.; inform the BAG members, organise the venue ...

Principal Investigator: Person who:

- responsible for the activities of BAG member during a session
- responsible for technical issues during the experiment
- acts as points contact for all kind of safety issues on site

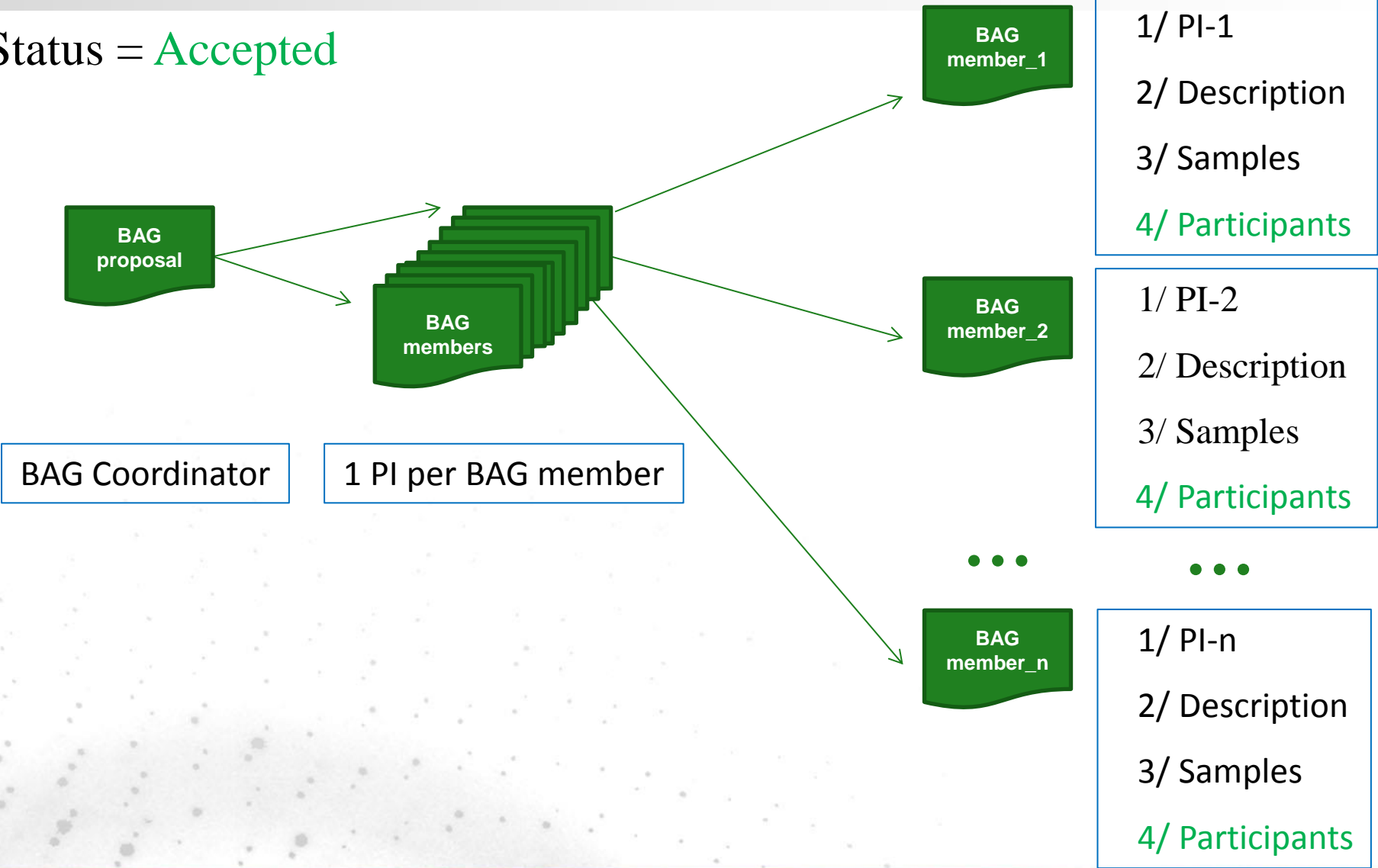
BAG proposal confidentiality @ SOLEIL

Status = Submitted



BAG proposal confidentiality @ SOLEIL

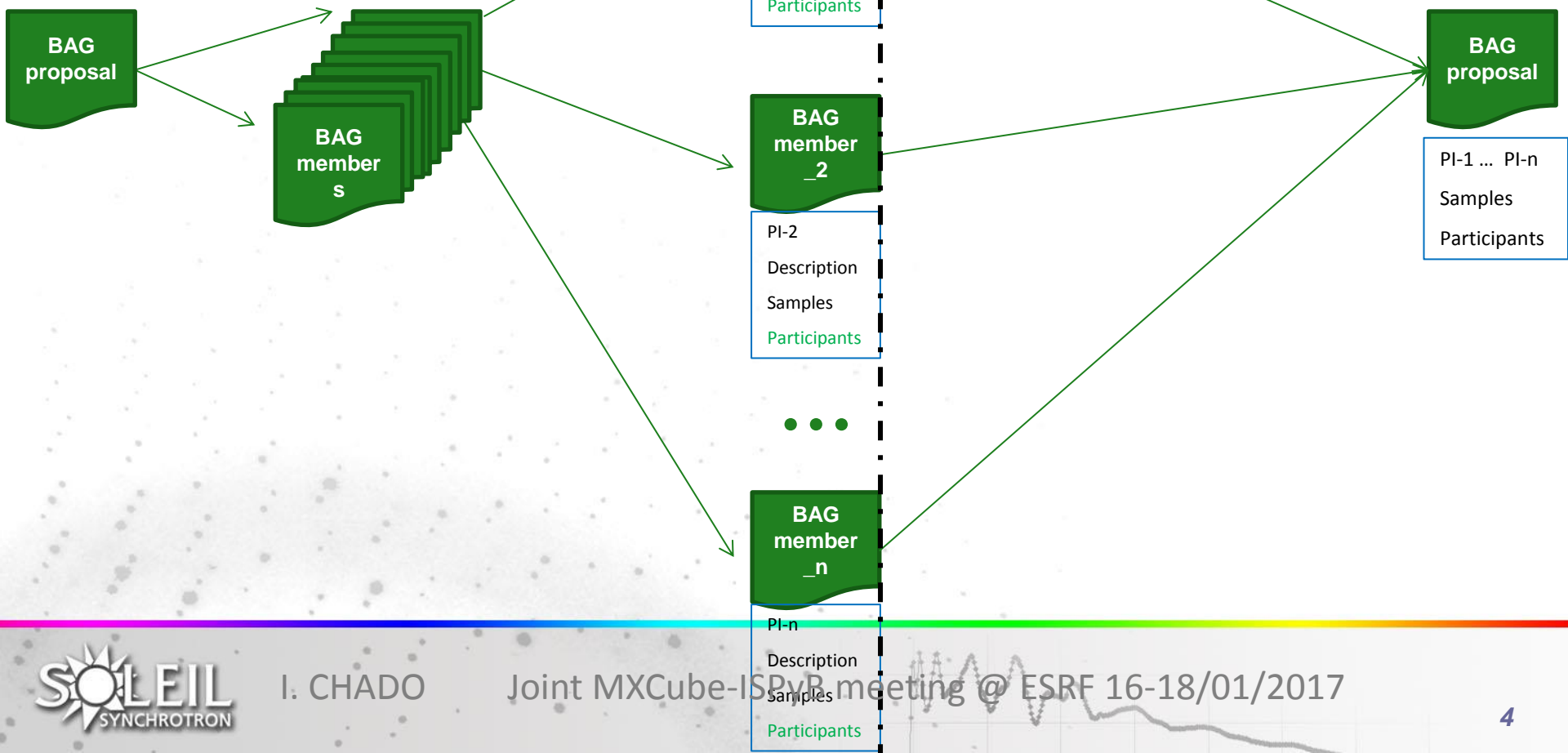
Status = Accepted



BAG proposal currently into ISPyB: no confidentiality

SUN set
SOLEIL User OfficeTools

ISPyB



BAG proposal confidentiality @ SOLEIL

	Editing				Submitted				Accepted					
	Proposal		Sample		Proposal		Sample		Proposal		Sample		SDR	ISPyB
	C/E	V	C/E	V	C/E	V	C/E	V	C/E	V	C/E	V	D	D
BAG coordinator	X	X	X	X		X		X		X	X	X	X	X
PI -> BAG member			X	X		?		X		?	X	X	X	X
Team member								?			?	?	?	?
BLM -> Beamline		X		X		X		X		X		X	X	X
BLS -> Beamline		X		X		X		X		X		X	X	X
LC* -> Session										X		X	X	X
Participants* -> Session													X	?

Legend: SDR: SOLEIL Data Retrieval, used to retrieve data for users back to home / C: Create / E: Edit / V: View / D: download



BAG proposal confidentiality: keep it from SUN set to ISPyB

SUN set
SOLEIL User OfficeTools

ISPyB

BAG proposal

BAG member s

BAG member _1
PI-1
Description
Samples
Participants

BAG member _2
PI-2
Description
Samples
Participants

BAG member _n
PI-n
Description
Samples
Participants

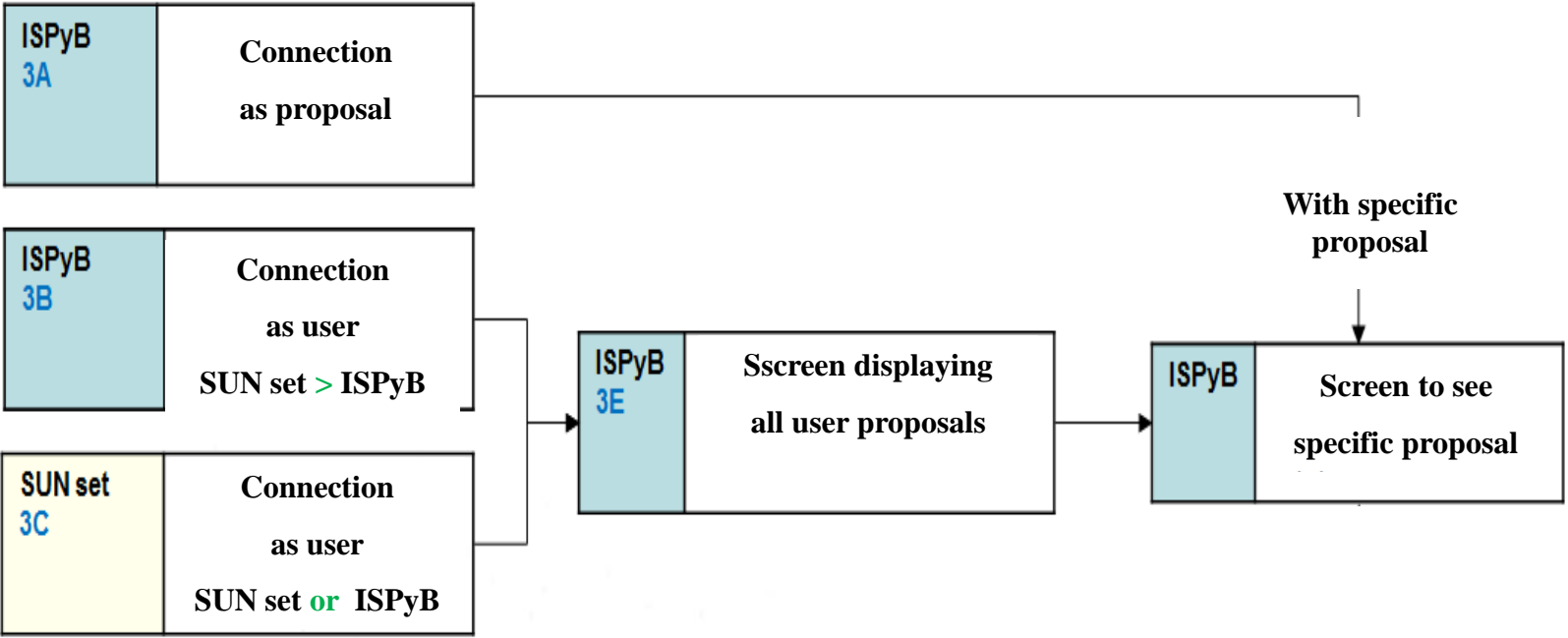
BAG member _1
PI-1
Description
Samples
Participants

BAG member _2
PI-2
Description
Samples
Participants

BAG member _n
PI-n
Description
Samples
Participants



BAG proposal confidentiality @ SOLEIL: Login workflow



Use cases 3B and 3C will be offered @ SOLEIL soon

Conclusion

Next step:

- ✓ **Dev. is ongoing to:**
- ✓ **Integrate BAG confidentiality into ISPyB with minimum impact**

→ 1 BAG proposal from SUN set to n proposals into ISPyB

Most dev. will be done into the SUN set

Part will be done in the control side to retrieve BAG members list

- ✓ **Will be back compatible with EXI (Extended ISPyB)**
- ✓ **Can be used by other sites in the ISPyB collaboration**

Improvement:

- ✓ **A Single Sing-On authentication or make use of Umbrella ?**